

General Setup Instructions

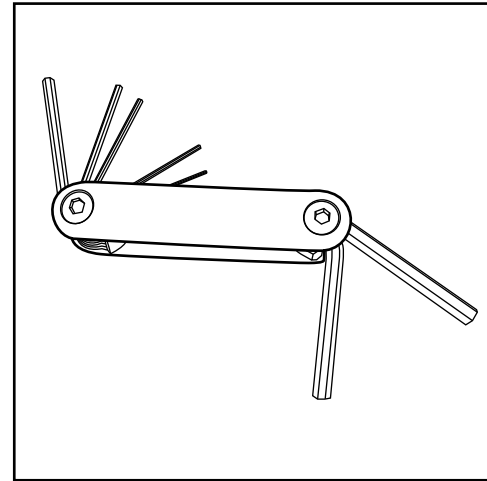
- Read entire setup instruction manual prior to unpacking parts and pieces.
- The setup instructions are created specifically for this configuration.
- Setup instructions are laid out sequentially in steps, including exploded views with detailed explanation for assembly.

Cleaning & Packing

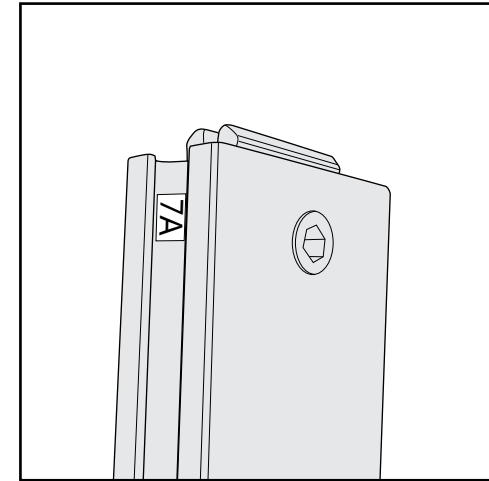
- For Cleaning Metal, Plex, & Laminate Parts: Use a **MILD NON-ABRASIVE** cleanser and soft cloth/paper towel to clean all surfaces.
- Keep exhibit components away from heat and prolonged sun exposure. **Heat and UV exposure will warp and fade components.**
- Retain all provided Packing Materials. All provided packing materials are for ease of repacking & component protection.

Disassembly

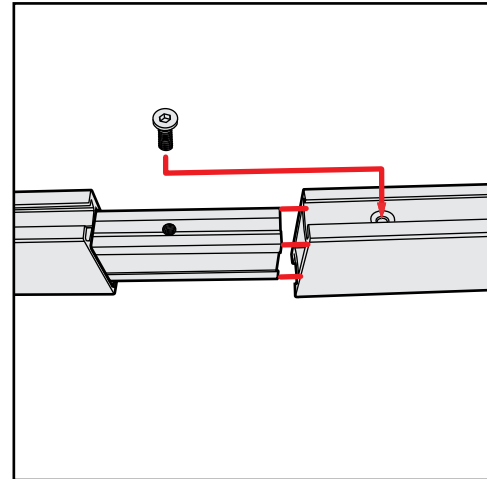
- For loss prevention, tighten all set screws and locks during disassembly.



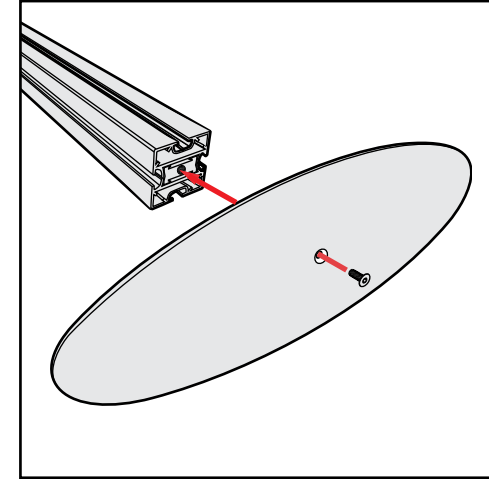
Hex Tool - Essential for Assembly



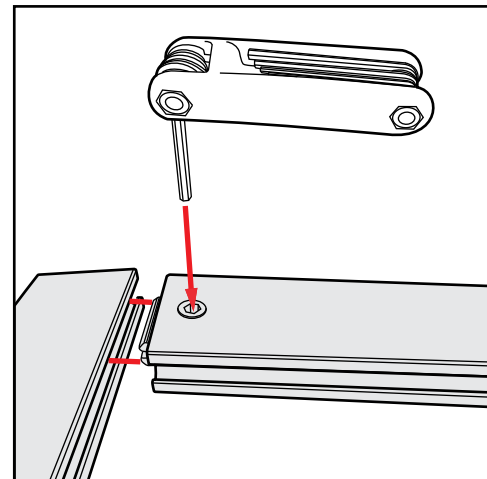
Part Identification - Numbering



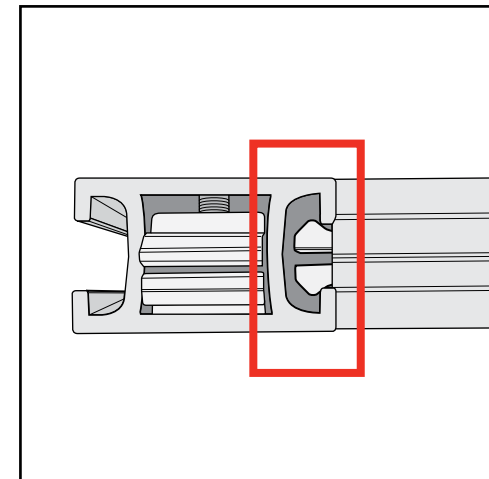
Spline Connection



Base Plate & Extrusion Connection



Extrusion & Lock Connection



Engaged Lock



WARNING



DO NOT USE POWER TOOLS



LADDERS OR LIFTS
MAY BE REQUIRED

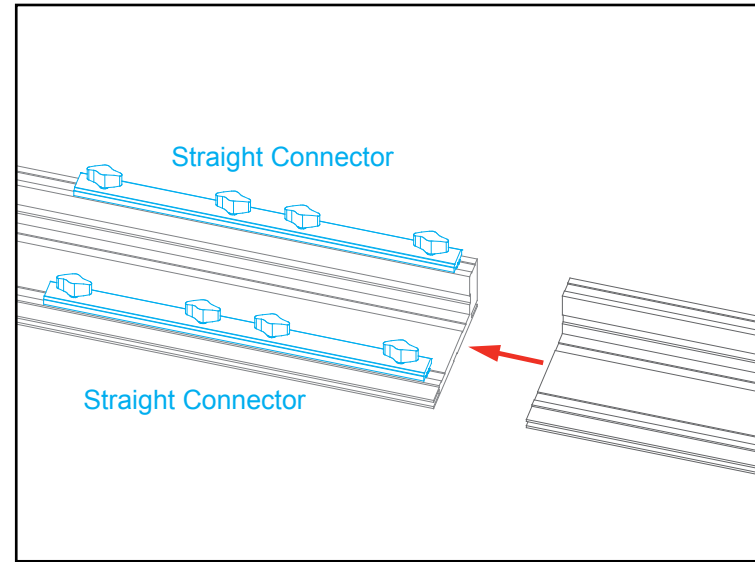


ALL CONNECTIONS MUST
BE TIGHTLY SECURED

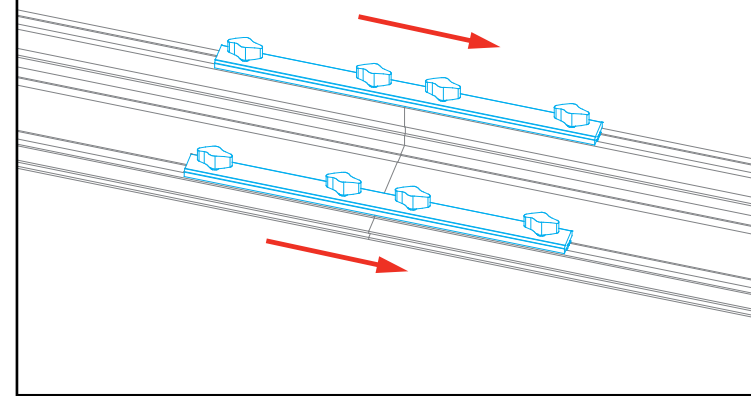
Straight Connection

When assembling frame, first attach all **straight connectors**, then attach **corner connectors**.

- 1) Place extrusions end-to-end.
- 2) Loosen all knobs, then slide **straight connectors** across the seam of extrusions.
- 3) Tighten all knobs to secure connection.



Slide both connectors across seam of extrusions.
Tighten all knobs.



All knobs must be tightened securely to ensure a proper connection.

Disassembly

- 1) Loosen all knobs.
- 2) Slide connectors off of one extrusion.
- 3) Tighten knobs to prevent loss during packing & shipping.

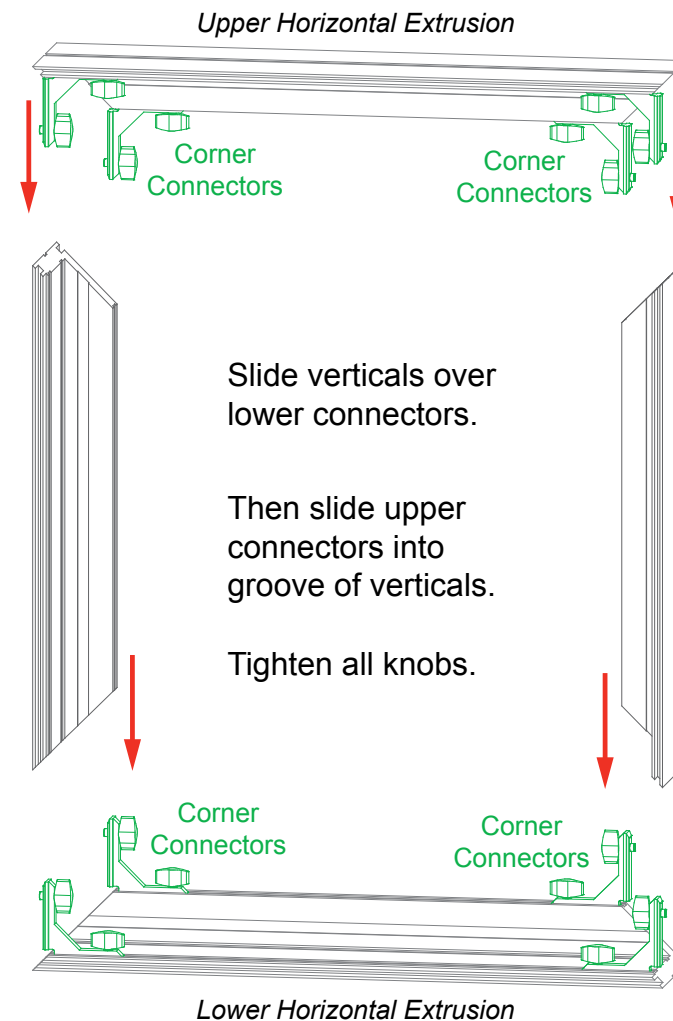
Keep straight connectors in groove of extrusion. Do not remove connectors during disassembly.

Corner Connection

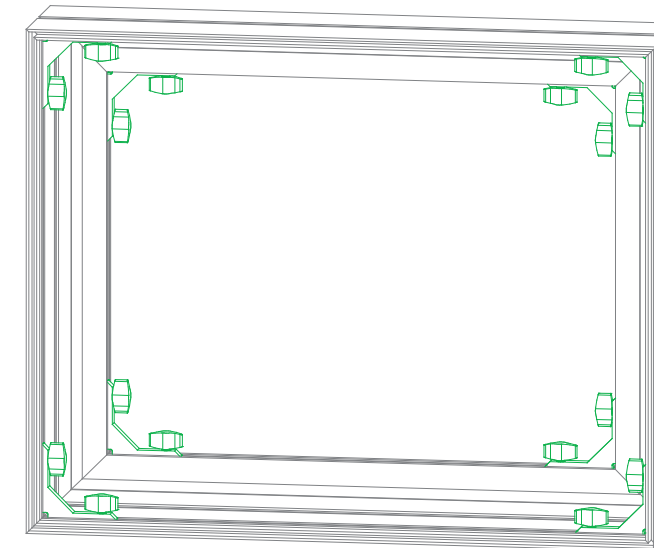
- 1) Loosen knobs, then slide vertical extrusions onto **corner connectors** of **lower** horizontal extrusion.
- 2) Slide **corner connectors** of **upper** horizontal extrusion into grooves of vertical extrusions.
- 3) Tighten all knobs to secure connection.

Disassembly

- 1) Loosen knobs on vertical extrusions.
- 2) Slide the vertical extrusions off of **corner connectors** on lower and upper horizontal extrusions.



Adjust connectors if necessary to prevent gaps in connection.



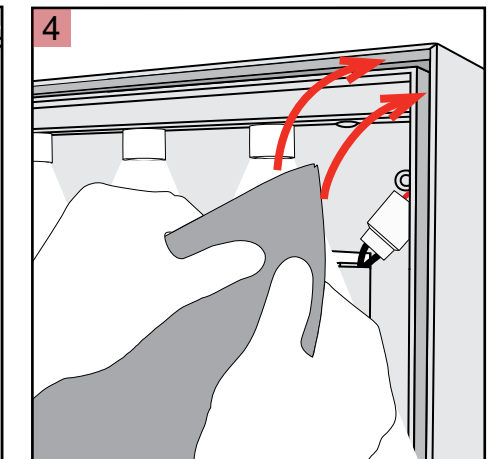
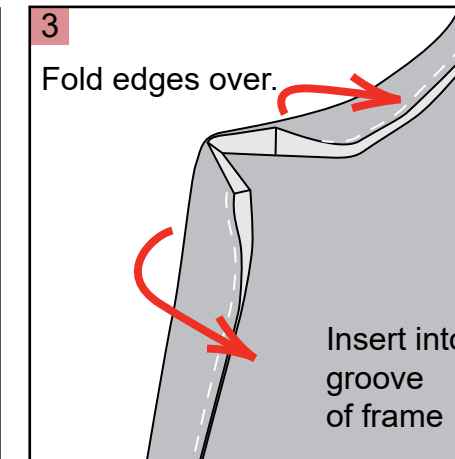
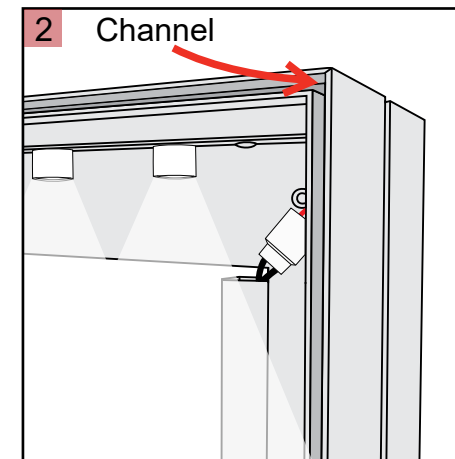
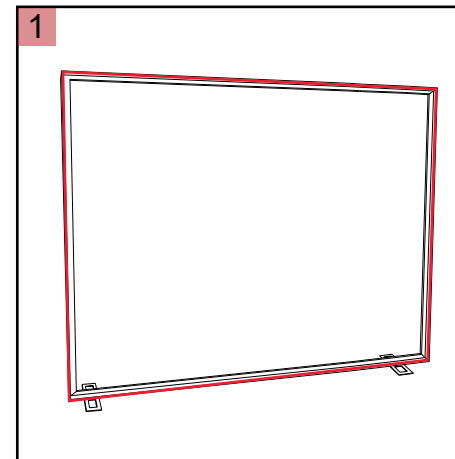
COMPLETED ASSEMBLY

All knobs must be tightened securely to ensure a proper connection.

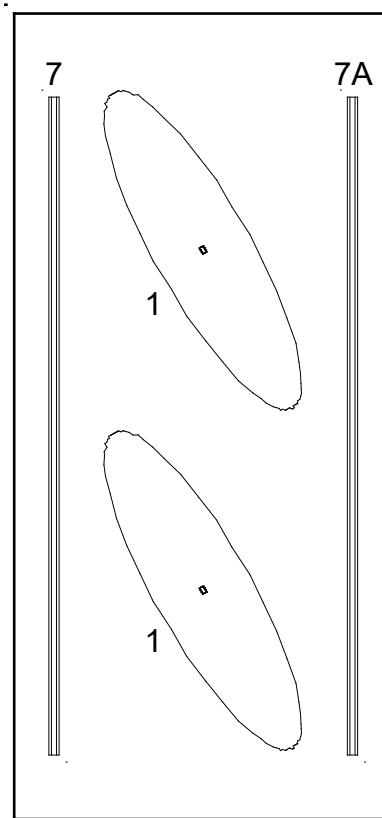


CEI110 Profile

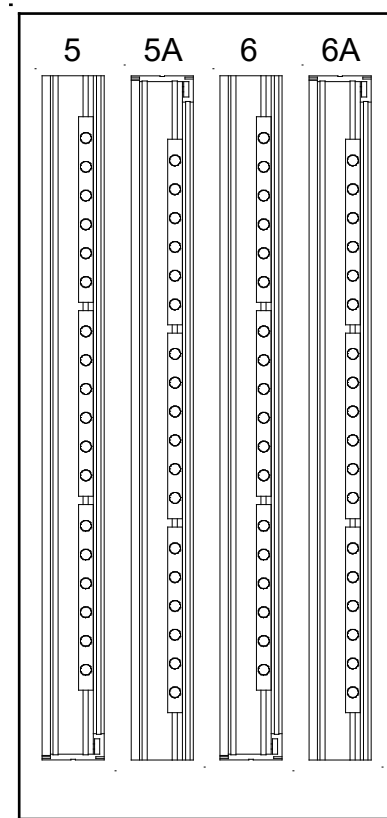
- 1) Locate channels along the edges of extrusions
- 2) Insert graphic corners first into channels then center point of graphic into channels. Allows for proportional fit around the perimeter of the extrusion.
- 3) Working from center to corner, slide silicon edge on graphic into channel.
- 4) After all edges of graphic have been inserted into channels, step back and assess graphic fit, make adjustments where needed.



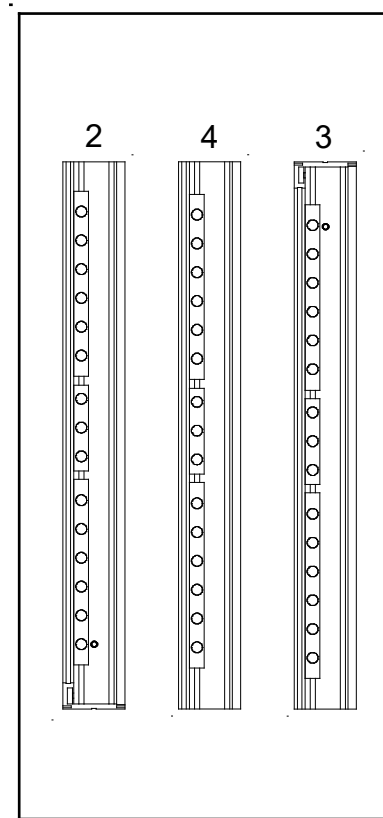
Top View of Each Level



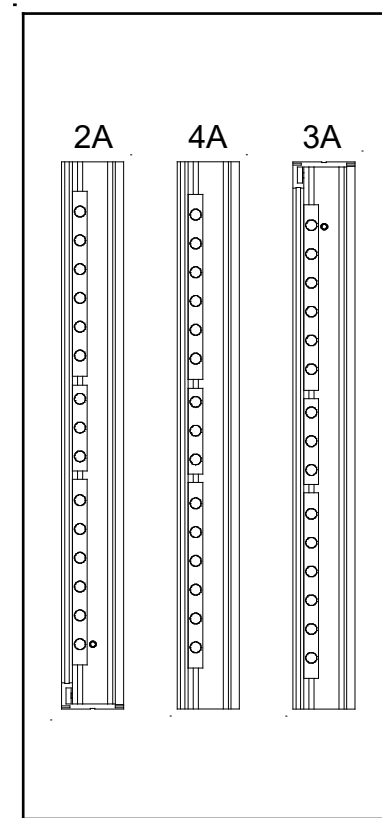
Level 1 (Bottom Level)



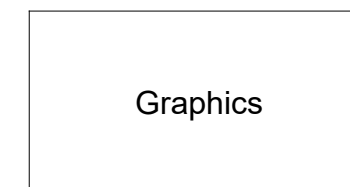
Level 2



Level 3



Level 4

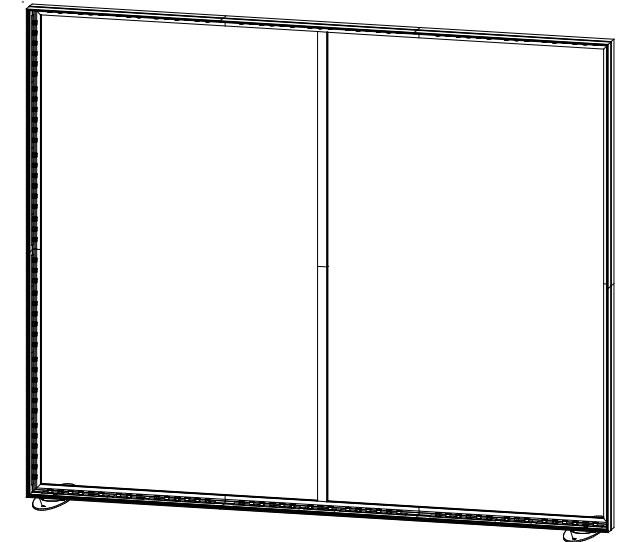


Item	Qty.	Description
1	2	Base Plate
2,2A	1,1	38" CEI110 Horizontal Extrusion
3,3A	1,1	38" CEI110 Horizontal Extrusion
4,4A	1,1	38" CEI110 Horizontal Extrusion
5,5A	1,1	47.5" CEI110 Vertical Extrusion
6,6A	1,1	47.5" CEI110 Vertical Extrusion
7,7A	1,1	45.6767" Z45 Vertical Extrusion

Steps:

- 1) Assemble CEI110 extrusions together, flat on floor, as shown. See CEI110 Frame Assembly sheet for instruction.
- 2) Attach base plates [1] to horizontals [2] and [3], using bolts, washers, and wing nuts, then lift assembled frame upright.
- 3) Connect verticals [7] and [7A] together. See [Z45 Straight Connection](#) detail.
- 4) Attach [6/6A] assembly to center of assembled CEI110 frame. See [Z45 Attachment](#) detail.
- 5) Connect light cords and transformers. See [Light Connection](#) and details.
- 6) Attach graphic to front of assembled frame. See SEG Graphic Installation sheet for details.

Keep PR53 connector attached to extrusion [7], when packing.



Completed Assembly

